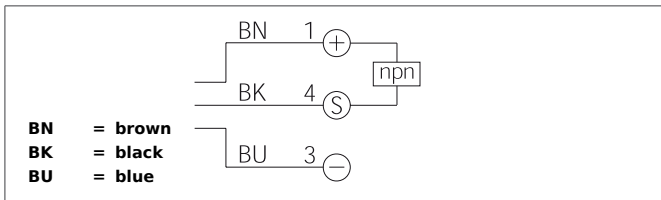


OTV 51 M 500 N3K-TSSL

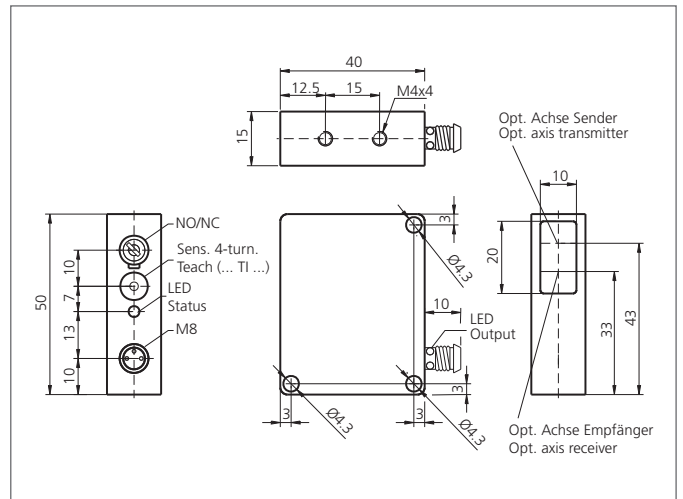
Diffuse Sensor

- Red light
- 4-turn potentiometer
- Bright LED, Connector M8 with ring LED
- Dark-/light switching, push-pull
- Functional reserve indicator/contamination indicator
- Robust metal casing



Safety instructions

The Instruments are not to be used for safety applications, in particular applications in which safety of persons depends on proper operation of the instruments.
 These instruments shall exclusively be used by qualified personnel.



| TECHNICAL INFORMATION (typ.) | +20°C, 24V DC |
|------------------------------|--|
| Operating principle | Diffuse reflective sensor |
| Evaluation | digital |
| Size | 50 x 40 x 15 mm (Dimensions) |
| Design | cuboid design |
| Emitted light | Red, 660 nm, clogged |
| Service voltage | 10 ... 35 V DC |
| Internal power consumption | < 40 mA |
| background suppression | no |
| Operating distance | 100 ... 500 mm |
| Sensitivity adjustment | potentiometer |
| Switching output | npn, 200 mA, NO/NC, switchable |
| Switching hysteresis | < 12 % |
| Voltage drop | < 2,0 V |
| Switching frequency | 1.000 Hz |
| Reproducibility | < 1 % |
| Ambient temperature | -10 ... +60 °C |
| Ambient light immunity | 10 kLx |
| Insulation voltage endurance | 500 V |
| Protection class | IP 67 |
| Protection degree | III, operation on protective low voltage |
| Casing material | Die-cast zinc black lacquered finish |
| Material | polycarbonate (Window) |
| Connection | Connector, M8, 3-poled |